



## FCR XL-2 & FCR PRIMA-T

*Digital X-ray with Exceptional Image  
Quality for Private Practitioners in an  
Efficient, Compact Package*

### Application

The Fujifilm Computed Radiography (FCR) XL-2 and PRIMA-T are digital radiography systems utilizing storage phosphor Imaging Plates (IP) as an x-ray detection device.

FCR XL-2 and PRIMA-T units scan and process x-ray image information from an IP that has been exposed using a cassette-type x-ray stand or table. The systems can also print out hard copies on film via a connected image recorder and can transmit digital images to PACS.

The FCR XL-2 and PRIMA-T provide general x-ray imaging for Private Practitioners. FCR XL-2 and PRIMA-T systems also include the capability to perform Pantomographic exams.

### Features

Due to the benefits of digital image processing, the systems produce radiographs that have a high diagnostic value and are easy to read. Fast Scan (200 $\mu$ ), Standard High Resolution (100 $\mu$ ) and High Resolution (50 $\mu$ ) size using HR IPs is possible with the FCR XL-2.

Reading modes are user selectable. Fast Scan reading provides maximum throughput for the FCR XL-2 and PRIMA-T for both 14x14" and 14x17" sizes, while standard HQ reading mode provides 10 pixel/mm resolution image acquisition and display for all intake sizes without impacting system speed.

High Resolution (50 $\mu$ ) Scanning is available with the FCR XL-2 for 18x24cm and 24x30cm sized cassettes using HR IPs, making it ideal for orthopedic and extremity applications, where seeing fine detail is critical.

The systems' wide latitude and automatic sensitivity adjustment function protects radiographs from variations in x-ray exposure conditions. This results in consistent image density for all types of radiographs. Image processing parameters are selected through anatomical region selection menus.

The FCR XL-2 reader can be network connected to multiple Flash IIP (Image & Information Processor) consoles, other FCR readers and FDR D-EVO for

maximum scalability and redundancy.

The FCR PRIMA-T supports a dedicated relationship of the reader to its workstation.

An FDX Console, Flash IIP or FCRView console workstation is available with each reader unit. The FDX Console is Fujifilm's newest advanced technologist workstation, designed to streamline the operation of digital image acquisition products. It performs patient identification, image viewing, reprocessing, optimization, and transmits images to PACS or DICOM compliant imagers. The FDX Console has an intuitive user interface and enables exam processing in as few as three easy steps.

Fujifilm's Flash IIP is designed for simple and fast patient identification, image viewing, reprocessing and optimization. The Flash IIP features a simplified user interface, which allows for complete patient processing in as few as 3 easy steps.

# FUJIFILM MEDICAL SYSTEMS

FCRView is a complete image management workstation that provides users with a complete set of tools to acquire, process, view and archive images all from one workstation. It has been designed to accommodate the imaging needs of low to mid volume private practice facilities.

See FDX Console, Flash IIP and FCRView datasheets for more information.

## Options

Dedicated FCR XL-2 and FCR PRIMA-T carts: Heavy duty engineered stand providing countertop and cassette holder space for the reader, with the CPU and monitor of either workstation. Stitching accessories are required for FCR PRIMA-T cart when performing stitching exams.

## Other System Components

FDX Console  
Flash IIP Console  
Flash IIP Laptop  
FCRView Console  
FCR External DVD-RW  
Custom Stand  
Seismic Brackets  
Mobile Kit

## FCR XL-2 Image Reader (Model: CR IR 359 RU2E) & FCR PRIMA-T Image Reader (Model: CR IR 392 RU2E)

(1) IP cassette type CC, LC, PC  
(2) FDX Console, Flash IIP Console, FCRView  
(3) Image Recorder:  
DRYPIX 2000  
DRYPIX 4000  
DRYPIX Plus  
DRYPIX 5000

## Available IP Cassette Types

Inch settings  
14x17", 14x14", 10x12", 8x10",  
14x34", 14x40", 14x50", 15x30cm  
Metric settings  
35x43cm, 35x35cm, 24x30cm,  
18x24cm, 15x30cm

## Supplies

### Fujifilm Imaging Plates (IP)

Standard type ST-VI  
14x17" (35x43cm), 14x14"  
(35x35cm), 10x12", 8x10",  
24x30cm, 18x24cm,  
15x30cm  
HR-V (FCR XL-2 Only)  
24x30cm, 18x24cm

### Mobile kit

Hardware brackets to stabilize & support for mobile vehicle use.  
Optional Laptop Flash IIP console also available to reduce space requirements.

**Throughput (IP/hour)**

IP/Cassette Size	FCR XL-2		FCR PRIMA-T	
	Fast Scan (5pixels/mm)	Standard HQ (10pixels/mm)	Fast Scan (5pixels/mm)	Standard HQ (10pixels/mm)
14x17 in	87	62	55	45
14x14 in	94	70	62	52
10x12 in	-	73	-	55
8x10 in	-	87	-	66
24x30 cm	-	75	-	55
18x24 cm	-	92	-	67
15x30 cm	-	73	-	55

**Cycle Time (Sec.)**

FCR XL-2			FCR PRIMA T	
Standard HQ	Fast Scan	HR-V	Standard HQ	Fast Scan
58	41	-	80	66
52	38	-	70	58
49	-	-	66	
41	-	-	55	
48	-	59	66	
39	-	51	54	
49	-	-	66	

## IMAGE READING

Reading gray scale: 12 bits/pixel

Output gray scale: 10 or 12 bits/pixel

### FCR XL-2/FCR PRIMA-T Sampling Rate

Reading Size		14x17"	14x14"	10x12"	8x10"	24x30cm	18x24cm	HR-V 24x30cm	HR-V 18x24cm	15x30cm
Fast Scan Pixel Density	Pixel Density (pixels / mm)	5	5	-	-	-	-	-	-	-
	Number of Pixels	1760x214	1760x176	-	-	-	-	-	-	-
High Pixel Density	Pixel Density (pixels / mm)	10	10	10	10	10	10	20	20	10
	Number of Pixels	3520x428	3520x352	2505x301	2000x251	2364x296	1770x237	4728x592	3540x474	1464x296

# Product Data

## ENVIRONMENTAL CONDITIONS:

### Power Supply:

Single phase 50–60Hz  
 AC 120–240V ±10%  
 FCR XL-2 5A (max)  
 FCR PRIMA-T 1.9A (max)

### Operating

Temperature: 15 - 30°C  
 Humidity: (no dew condensation)  
 FCR XL-2 40–80%RH  
 FCR PRIMA-T 15–80%RH

### Heat Output:

FCR XL-2 995 BTU/hr  
 PRIMA-T 692 BTU/hr

### Power consumption:

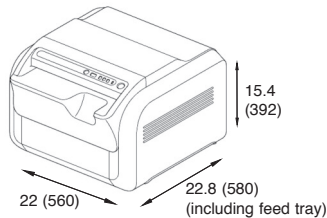
FCR XL-2 ≤ 2290 VA (W)  
 PRIMA-T ≤ 190 VA (W)

## EXTERNAL DIMENSIONS AND WEIGHT\*:

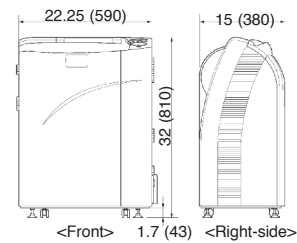
	Width in. (mm)	Depth in. (mm)	Height in. (mm)	Weight lb. (kg)
FCR XL-2	23.25 (590)	15 (380)	32 (810)	218 (99)
FCR PRIMA-T	22 (560)	22.8 (580)	15.4 (392)	86 (39)

\* Dimensions and weight are approximate and are subject to change without prior notice.

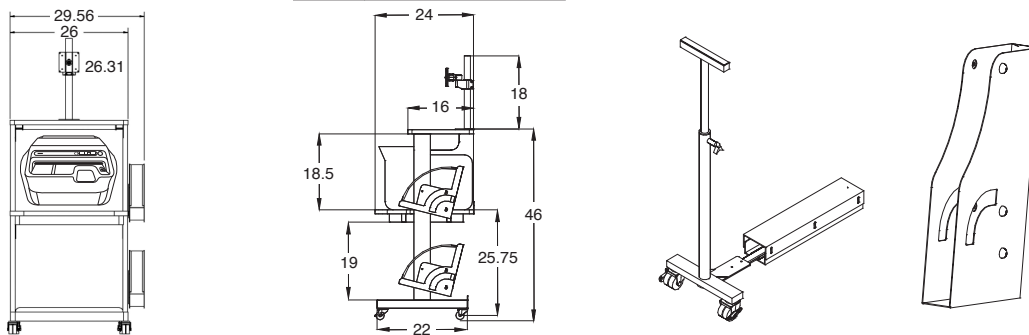
### FCR PRIMA-T Image Reader



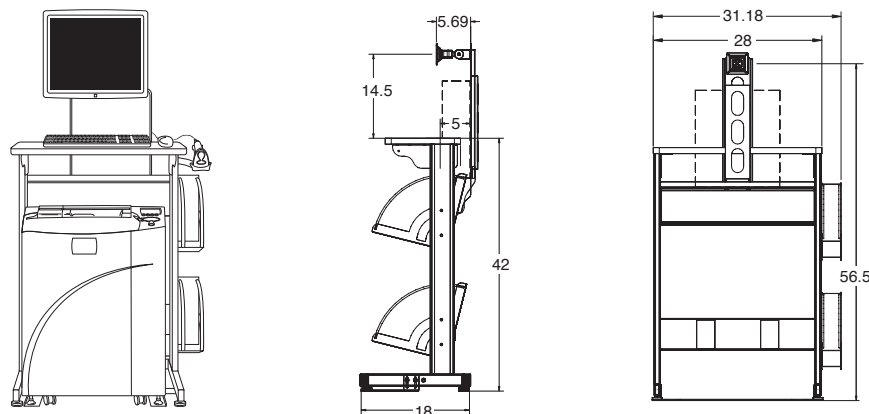
### FCR XL-2 Image Reader



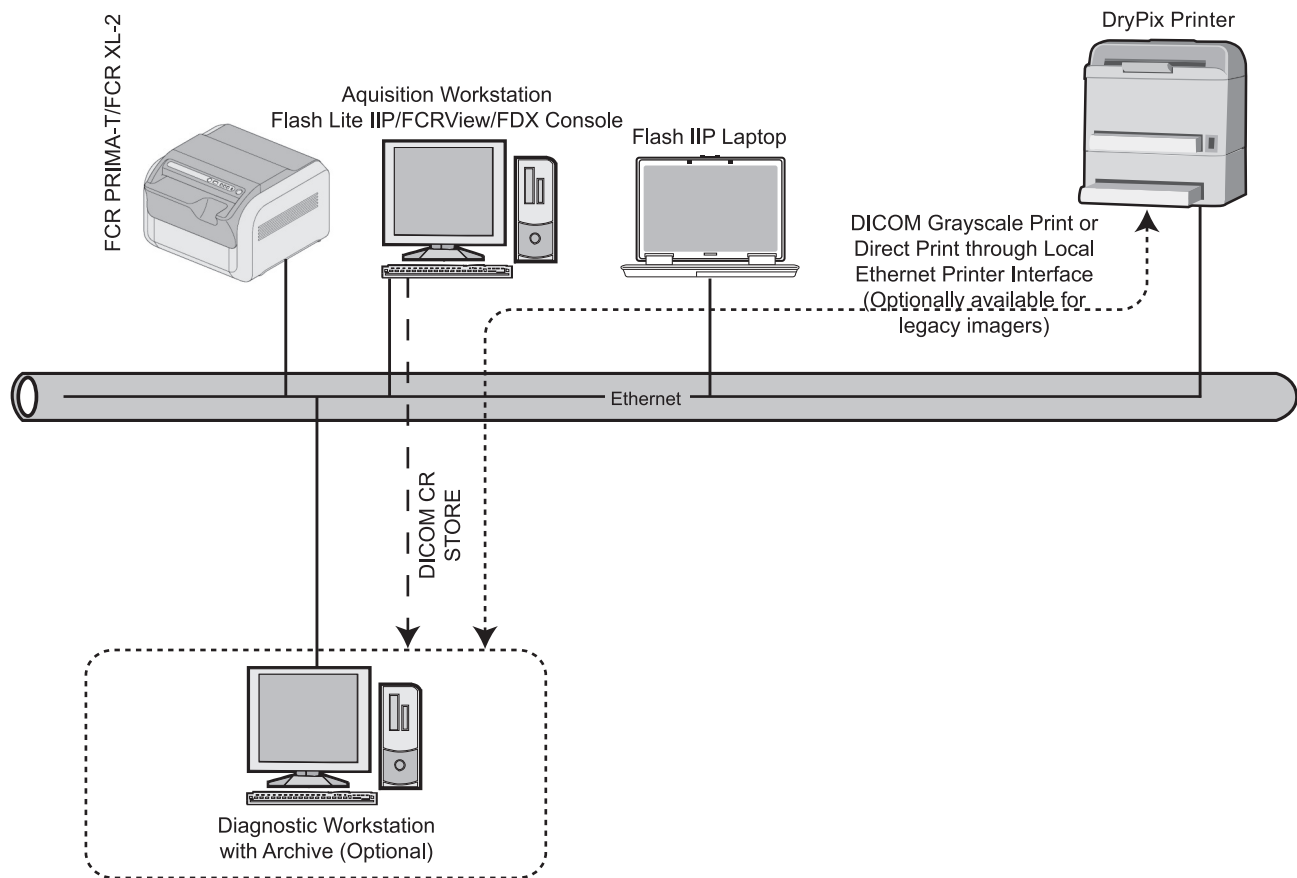
## FCR PRIMA-T Cart and Stitching Accessory Dimensions



## FCR XL-2 Cart Dimensions



# Connectivity Diagram for Typical Practice



## Notes:

- Network Interface - 100 Base-T, half or full recommended.
- Interface to other FCR Readers and/or Flash IIPs on the network.
- Any FCR Reader can be utilized after registering the patient at a Flash IIP connected to the same network.
- Database Sharing (option) allows sharing exam and image data between Flash IIP Consoles within Database Sharing cluster.
- Interfacing with Legacy FCR equipment - devices that communicate through DMS protocol can be connected to the network printer by adding an optional Fujifilm DryPix Station to convert the DMS to DICOM.

\*\*Specifications subject to change without notice

FUJIFILM Medical Systems USA, Inc.  
Corporate Headquarters

419 West Avenue  
Stamford, CT 06902-6348  
866-879-0006

[www.fujiprivatepractice.com](http://www.fujiprivatepractice.com)

**FUJIFILM**

©2011 FUJIFILM Medical Systems USA, Inc.

XBUSCH027