
D-EVO Suite OTCx

Overhead Tube Crane System



**NEVER
STOP**

D-EVO Suite OTCx

Digital Radiography Suite

Versatile and intuitive, D-EVO Suite OTCx delivers enhanced patient comfort and optimized workflow.

Precisely engineered to withstand the rigors of high-volume imaging in hospital radiology departments, imaging centers and large orthopedic facilities of any caseload.

The system features advanced touchscreen display controls at the tube head so technologists can remain at the patient side to fine tune exams for enhanced safety and comfort. Integration with Fujifilm's latest FDX Console technologist workstation and lightweight wireless detectors automates preferred dose and collimation presets to optimize dose and image quality for every exam.

Workflow efficiency is simplified through smart ergonomically designed controls, just the right mix of automated and grab and go positioning and an industry-leading table with a patient weight capacity of up to 800 lbs. Built in the USA, this system is designed to deliver many years of patient and user-satisfaction.



System Includes

- Overhead tube system with touchscreen display controls
- Auto tube height tracking to table and chest stand (option)
- Elevating 4-way float top table, 800 lb. capacity
- Tilting wall stand (option)
- High frequency generator and control console
- FUJIFILM DR detector(s) and FDX Console workstation

Options

- 40, 50, 65 or 80 kW generator
- Automatic or manual collimator
- Automatic motorized tube height tracking to table and chest stand detector height (option)
- Right or left opening, tilting or non-tilting wall stand
- DAP meter (option)
- Table top detector holder for cross table exams (option)
- Single or multiple flat panel detector workflow configurations

Key Highlights



Technologist-Friendly
LCD Touchscreen



Electromagnetic
Braking



Premium table and
wall stand



Speedlink integrated
automation of dose
and collimation



Wireless DR detector
options 14x17 &
17x17"



Automated dose
management and
tracking capabilities



System Features

Intuitive Control and Flexible Positioning

Convenient patient side controls simplify precision for the technologist and exam safety and speed for the patient. The D-EVO Suite OTCx overhead tube x-ray room features an advanced, technologist-friendly touchscreen display at the tube head, providing seamless operation of the radiographic system, displaying precise tube angulation, SID values and controls to customize exam techniques to your patient. Color-coded tube movement buttons and matching overhead rail markings provide simplified speed and precision in positioning. Light, effortless movements are controlled by an electromagnetic braking system, enabling fast and secure readjustments on-demand. Its five-section telescoping column delivers exceptional vertical movement of 71" (180 cm), capable of performing complete head-to-toe procedures including upright weight bearing and recumbent tabletop exams.



Grab and go control

Center hand grip features an all-lock auto sensing release. This enables fast, precise positioning and re-adjustment.



Generator

Full featured control console is included standard. Dose techniques are automatically mapped based on anatomy selected at the workstation.

Compact robust generators available in 40, 50, 65 and 80 kW options.



Auto-Collimation

Accelerates patient positioning and reduces radiation exposure by automatically selecting the proper field-of-view for each body part. This feature is available through the FDX Console workstation's pre-programmed APR setting.

FDX Console with Dynamic Visualization



Our latest technologist workstation and digital image processing with simplified and customizable user interface allows exams to be completed in as few as 2 or 3 mouse clicks. Featuring a large touchscreen display and available secondary 2 megapixel display (option) provides immediate image previews, image manipulation and secure reliable network connectivity. Also features SpeedLink which automates close techniques and collimation field mapping (automatic collimator required) to exam menus to simplify adherence to site preferences and optimal dose lowering techniques. IHE EI/DI exposure and deviation index and retake analysis functionality also included; along with IHE RDSR radiation dose structured reporting compatibility.





System Highlights

- Large 10.4" patient side touchscreen controls for generator, collimation, filtration and AEC
- Display readout rotates 90° with tube rotation.
- Continuous display of system status, SID and tube angulation
- Color coded ceiling rails and lock release buttons
- One-hand all-lock release central hand grip sensor
- 5-layer telescopic column provides full range for low and high ceiling rooms
- 800 lb. patient table with safe vertical toe controls
- Tilting chest stand, sturdy one hand detector trays

Designed to perform, built to last

Elevating Four-way Float Top Table

The heavy-duty elevating four-way float top table delivers outstanding safety and useability. Featuring an exclusive four-point lift system and exceptionally quiet motor-drive, its completely flat top, smooth scratch-free tabletop lowers to a height of just 22" to ensure stress-free patient transfers and adjustments. Offering a high patient weight capacity of up to 800 lbs., stable continuous movement is possible through conveniently located vertical foot pedals and table-side controls to simplify technologist workflow.



Convenient table side hand grip controls can be mounted anywhere along the front or back rail of the table top to control float top and elevation to further simplify technologist workflow.

Accessories and Upgrades



► Table Side Handgrips

These sturdy handgrips can be mounted along the entire length of both sides of the tabletop to enhance patient safety.



► Lateral Cassette Holder

This adjustable holder can be mounted along both sides of the tabletop allowing for access to a variety of cross-table lateral views.

Tilting Wall Stand

The optional tilting version of the wall stand provides additional positioning flexibility, patient comfort and precision for standing or seated exams. All movements are precisely counter-balanced to allow light, smooth operation to minimize repetitive strain for technologists of all sizes or strength.



Rotating Tray

The easy-to-use 14x17" rotating detector tray (optional upgrade) enables manual rotation of the DR detector for use inside both table and wall stand. The stable one-handed operation supports fast portrait-to-landscape positioning without removing the detector from the tray.



D-EVO Suite OTCx Specifications

Radiographic Table

Weight capacity: 800 lb
 Table top: 31.9 x 86.5"
 Vertical movement: 22.2-34.2"
 Longitudinal: +/- 21.5"
 Transverse: +/- 4.5"
 Bucky travel: +/- 8.5"
 Stationary grid: 10:1; 103 lpi; 34-44" focus

Wall Stand

Vertical movement: 13.8-74.8"
 Wall stand column: 11.8 x 83.1"
 Stationary grid: 10:1, 103 lpi; 40-72" focus

Environmental Conditions

Temperature: 50° to 104° F
 Humidity: 20-75% RH
 (non-condensing) Atmospheric pressure:
 70 kPa–106 kPa

Power Supply

Generator type: falling load, following models and power ratings

- 40kw single phase, 500mA; 40-125kV, 230vAc
- 50kw 3-phase, 630mA; 40-150kV, 230vAc or 400-480vAc
- 65kw 3-phase, 800mA; 40-150kV, 230vAc or 400-480vAc
- 80kw 3-phase, 1000mA; 40-150kV, 400-480vAc

Exposure control: 3-point control console.

Anode type: rotating

Focal spot: 0.6 mm – 1.0 mm;
 12° anode angle

Collimator: automatic (ACSS) or manual; LED

Light source; laser line centering;
 built-in copper filtration; optional DAP meter; 17x17" format size recognition

Standard models: 25.5 x 13.7 x 24.4"

System Calibration

Internal self-tests for essential functions at startup and throughout the day.

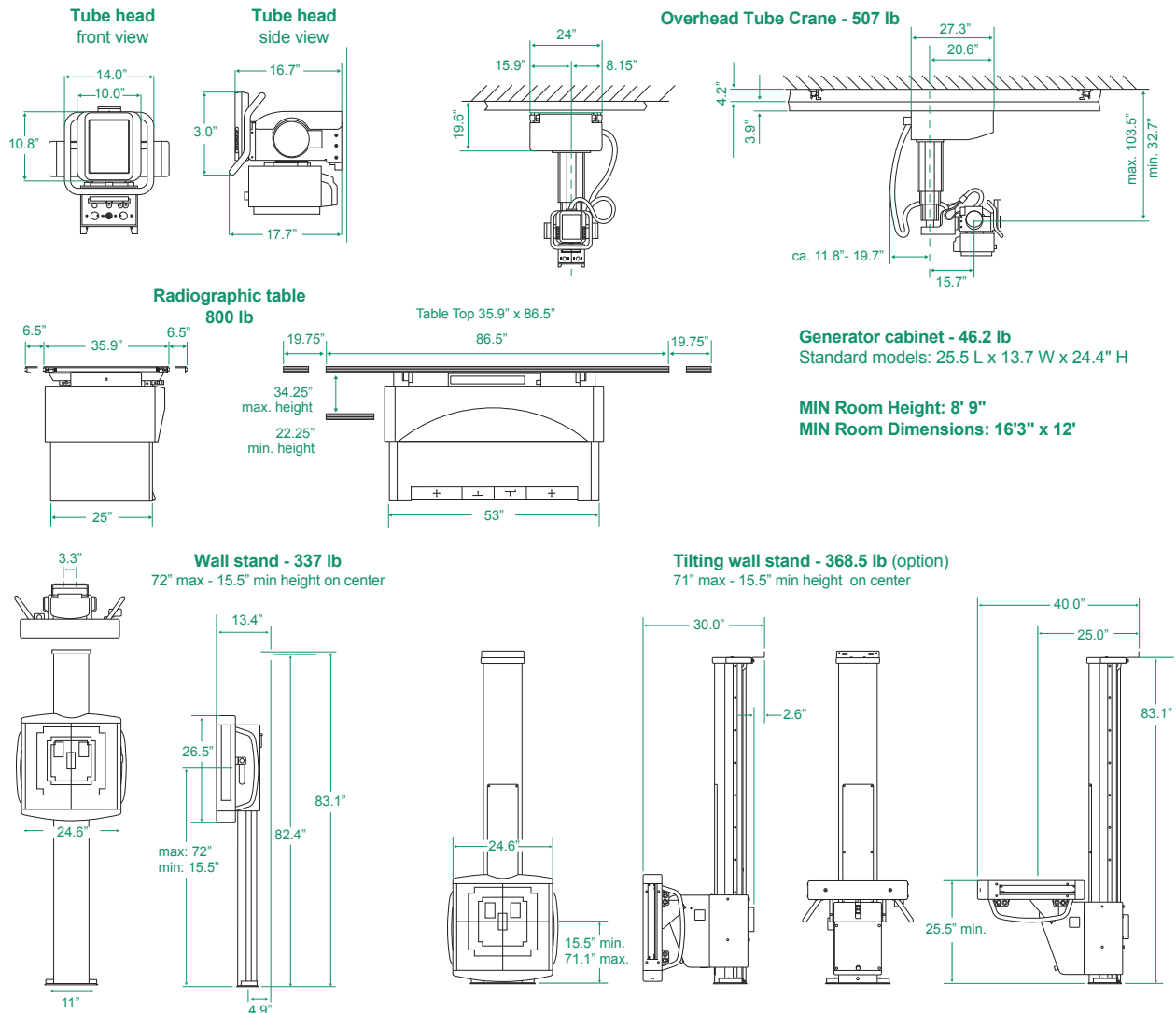
Quality assurance phantom kits available separately (option).

Safety & Electrical Certifications

UL 60601-1, 2003/04/25 Ed: 1 Rev: 2006/04/26 UL standard for safety medical electrical equipment, Part 1, and CSA C22.2 #601.1 Issue: 1990/01/11 (R2005) medical electrical equipment – conforms to general requirements for safety and medical electrical equipment UL 60601-1, IEC 60601-1, certified to CSA C22.2, No. 601.1 and others.

Warranty

1 Year full system warranty, x-ray tube (glassware) 12 month prorated



FUJIFILM Healthcare Americas Corporation

81 Hartwell Avenue, Suite 300, Lexington, MA 02421
 fujifilmhealthcare.com 800.431.1850

© FUJIFILM Healthcare Americas Corporation DOC-0057883-A

