

FDR Clinica X

Fujifilm provides a wide range of Innovative Digital Radiography Suites

FDR Visionary Suite

- Fully-automated and integrated DR Suite.
- Optimized for use with all **D-EVO detectors**, including **D-EVO Advanced**.
- Supports all Advanced DR Applications



NEW

FDR Clinica X (FS)

- Floor-mounted, DR Suite
- **Manual & Premium** systems
- Optimized for use with **D-EVO II / III & FDR ES**
- **Integration** between x-ray generator & imaging chain.



Manual System



- Manual Collimator, optional AEC
- Manual non-tilting wall stand
- 4-way float table, 661 lb. capacity
- Auto-connect, rotating bucky trays
- 40kW, 52kW, 68kW generator options

Premium System



- Auto Collimator / **LCD touchscreen**
- **Motorized tilting wall stand**
- 4-way float table, 661 lb. capacity
- Table & wall stand **Auto-tracking**
- Auto-connect, rotating bucky trays
- 40kW, 52kW, 68kW generator options

Fujifilm provides a wide range of *Innovative Digital Radiography Suites*

NEW

FDR Clinica X

- Ceiling-mounted, semi-automatic DR Suite.
- Optimized for use with all D-EVO detectors.
- Full integration between x-ray generator & imaging chain
- Auto **Stitching** Option



Ceiling-Mounted, Integrated DR Suite

- Auto Tube Tracking at Table & Wall Bucky
- 661 lb. capacity, motorized elevating 4-way floating tabletop
- LCD touchscreen tube head display
- Rotating Table & Wall Bucky Trays
- Motorized Tilting Wall Bucky
- 40kW, 52 kW, 68kW & 82kW generator options
- Automatic stitching (2-, 3-, or 4-image) option
- Combine with all of Fujifilm's innovative low-dose technologies ... **D-EVO II / D-EVO III / FDR ES Virtual Grid Dynamic Visualization II.**

FDR
D-EVO II

FDR
D-EVO III

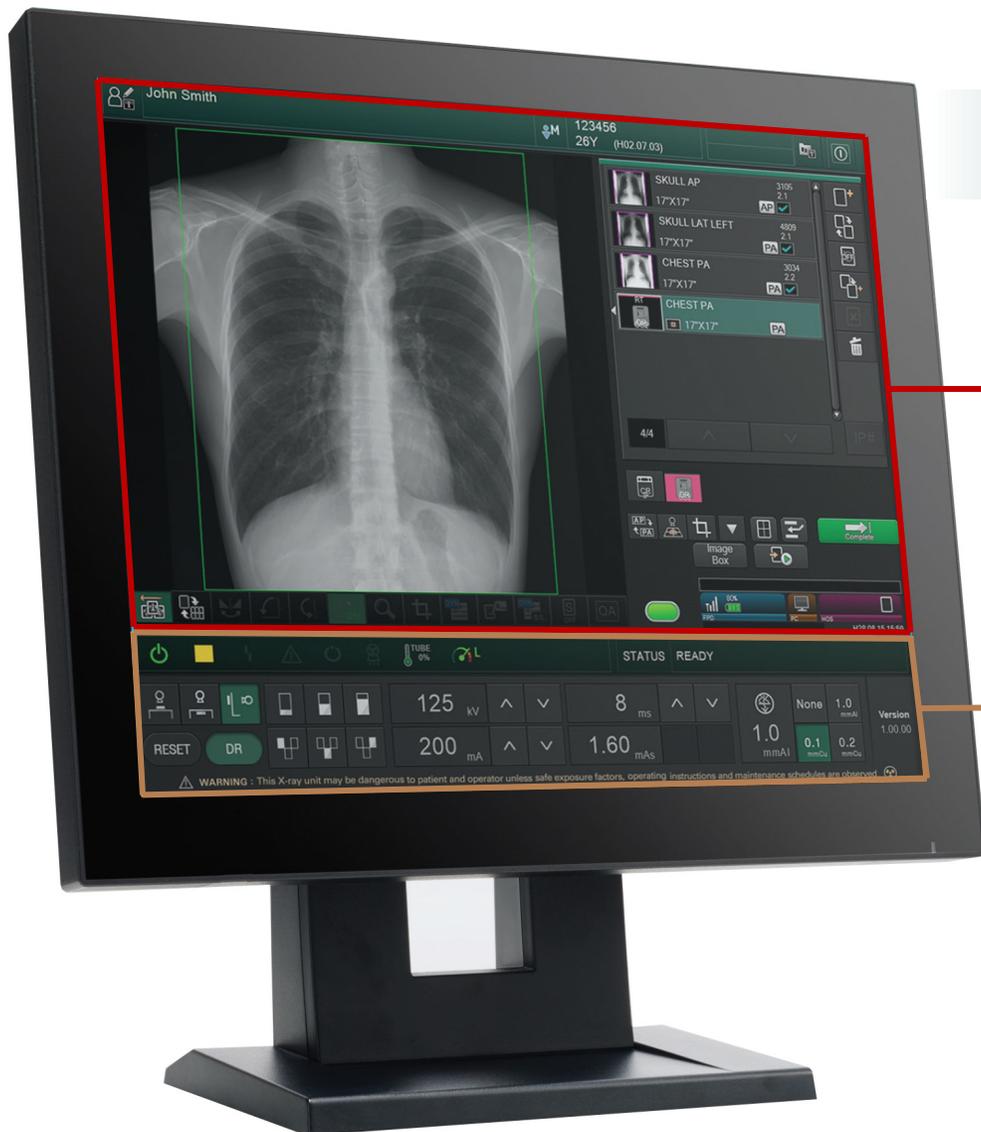
FDR ES

Virtual Grid

Dynamic
Visualization II

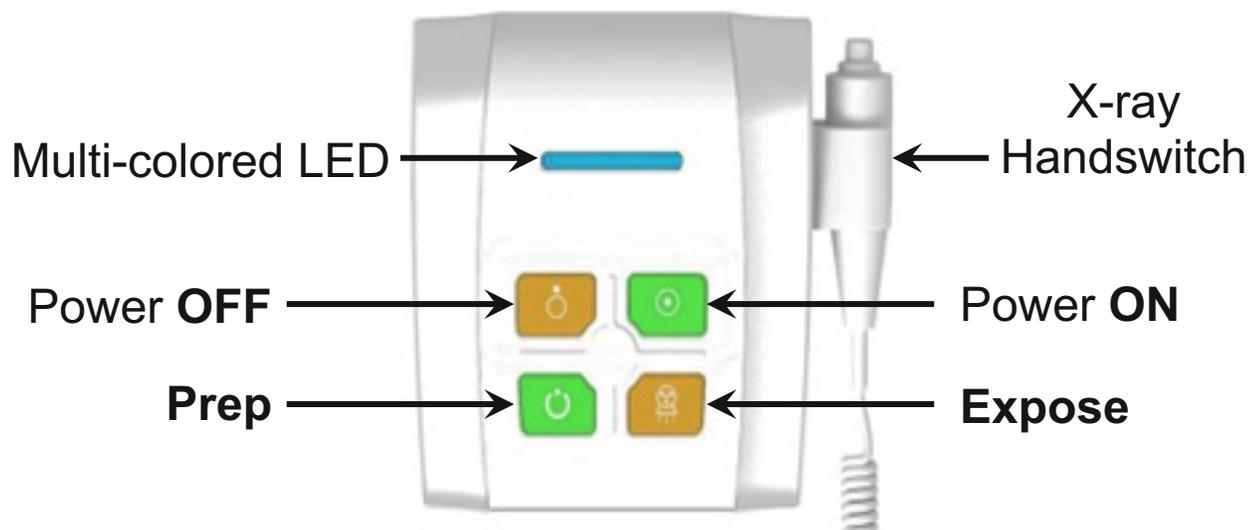


FDR Clinica X

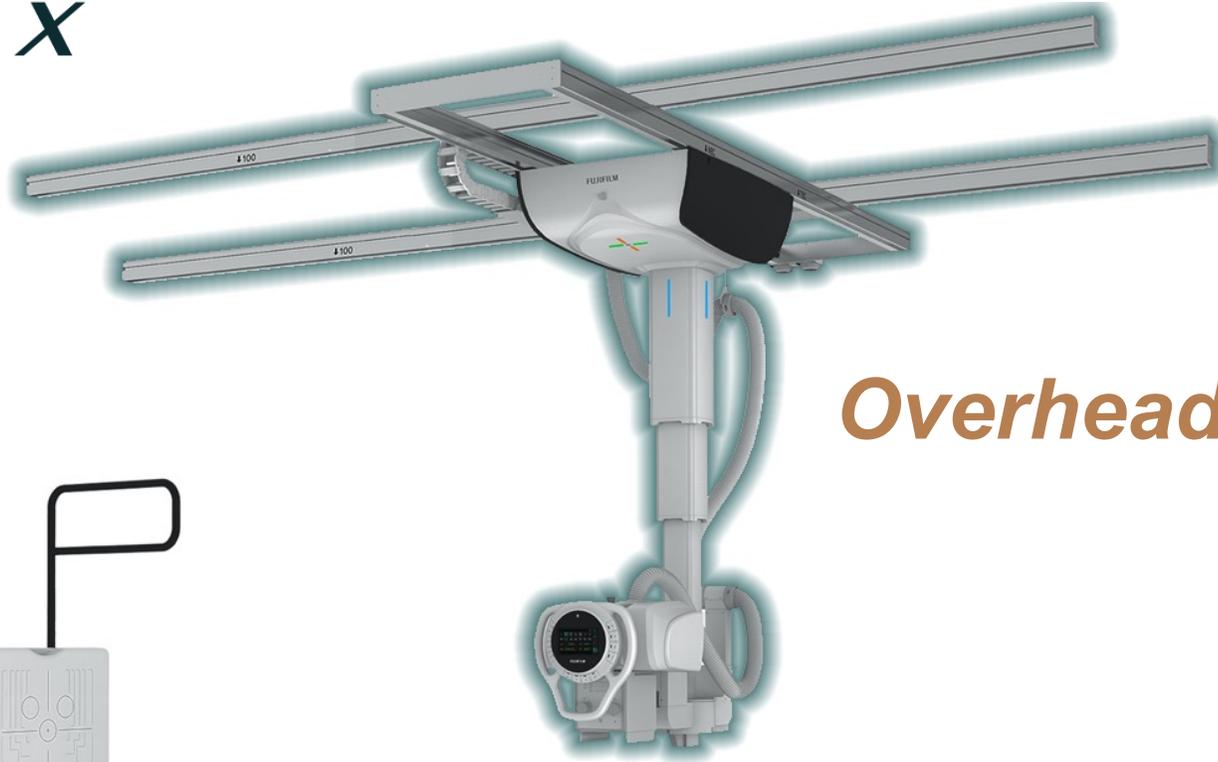


FDX Console PLUS

Clinica X Interface Module



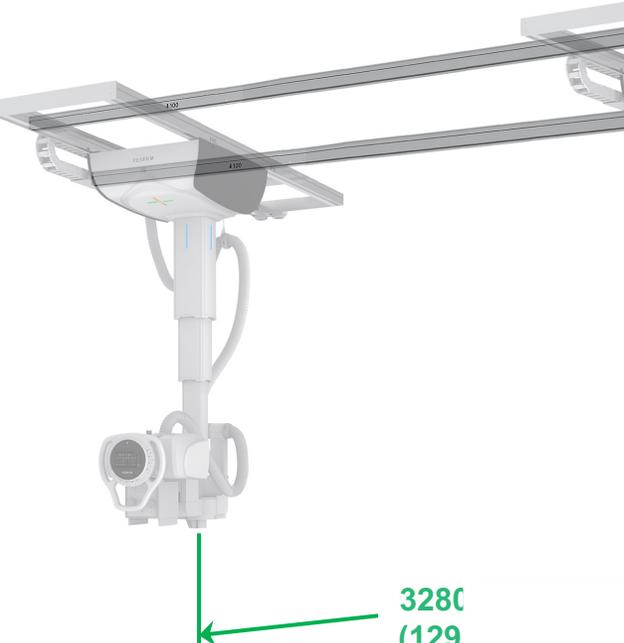
FDR Clinica X



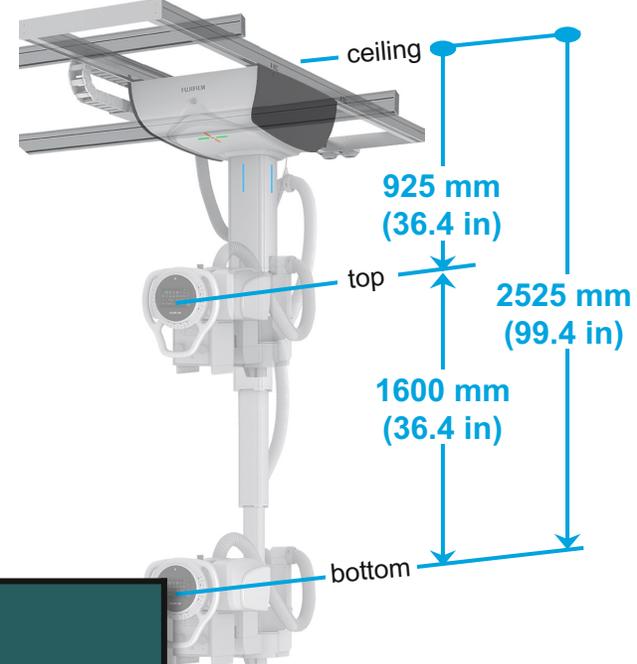
Overhead Tube Crane



FDR Clinica X



3280
(129)



LONGITUDINAL
tube stroke

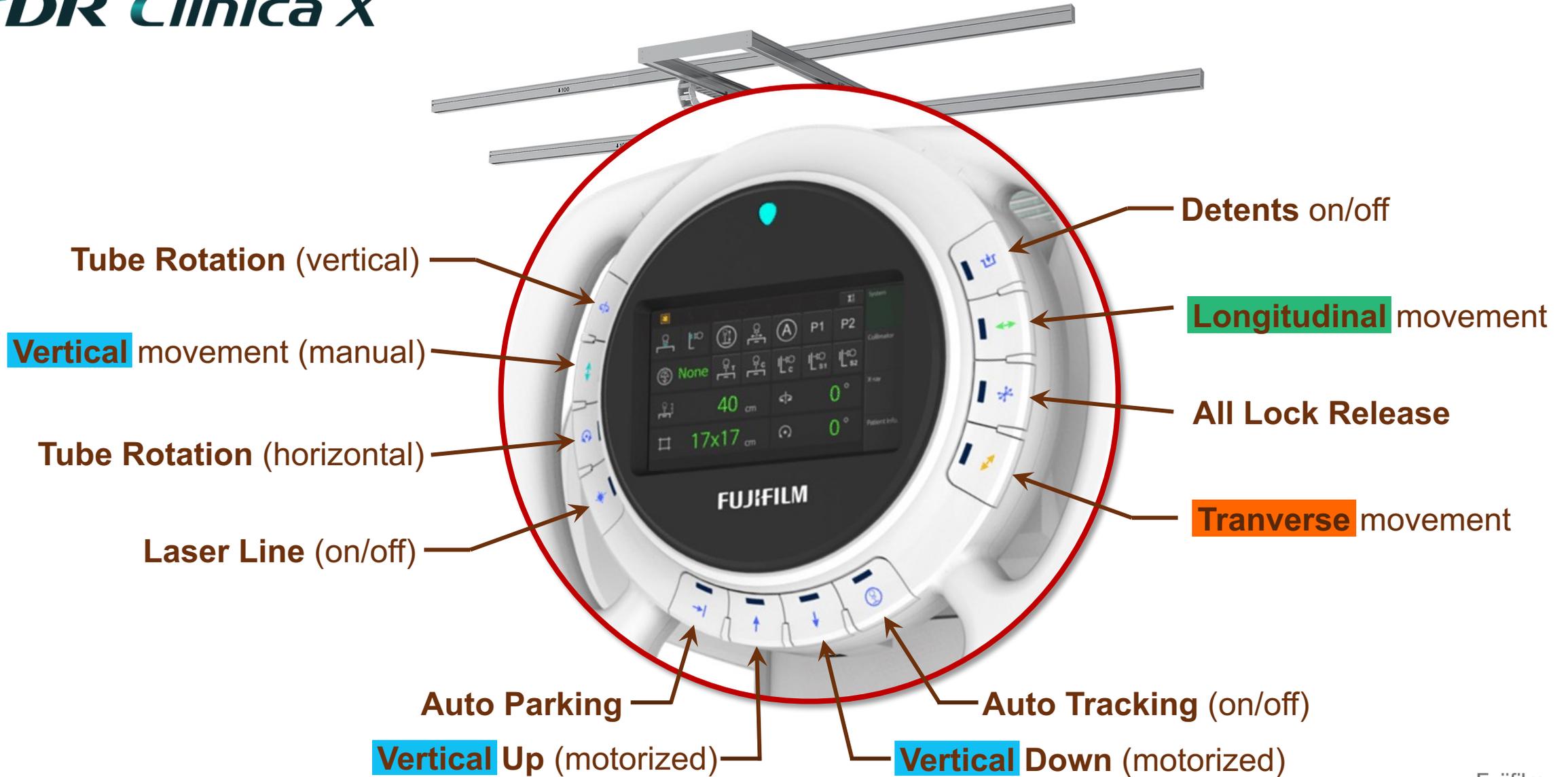
VERTICAL
tube stroke 2

	CEILING SUSPENSIONS		
	TS-CSA-M	TS-CSA-A	TS-CSA-A (Stitching)
Vertical Movement	Manual	Motorized	Motorized
Tube Rotation	Manual	Manual	Motorized
Table/Wall Stand Auto-Tracking	No	Yes	Yes
Auto-Collimation	Option	Standard	Standard
Touchscreen LCD	Yes	Yes	Yes

1 Assumes 3m x 4m

2 At maximum stroke (bottom) and tube head rotated 90°, the tube head is 600 mm (19.7 in) from floor (assumes a 9.5' ceiling height)

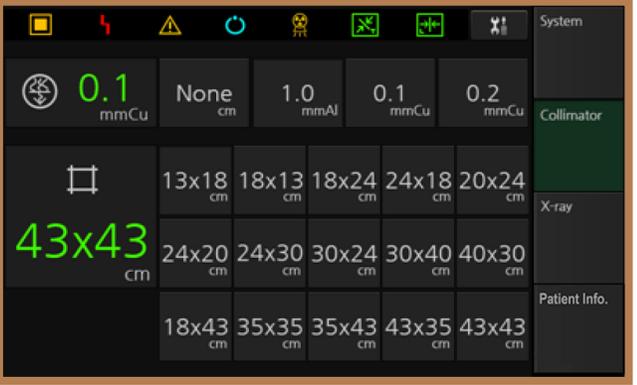
FDR Clinica X



FDR Clinica X



SYSTEM: Table / Wall Stand SID, Tube Angle (current & desired), FOV, filtration, Auto Tracking on/off, Stitching enable.



COLLIMATOR: current & desired FOV, (inches or centimeters), current & desired Cu filtration.

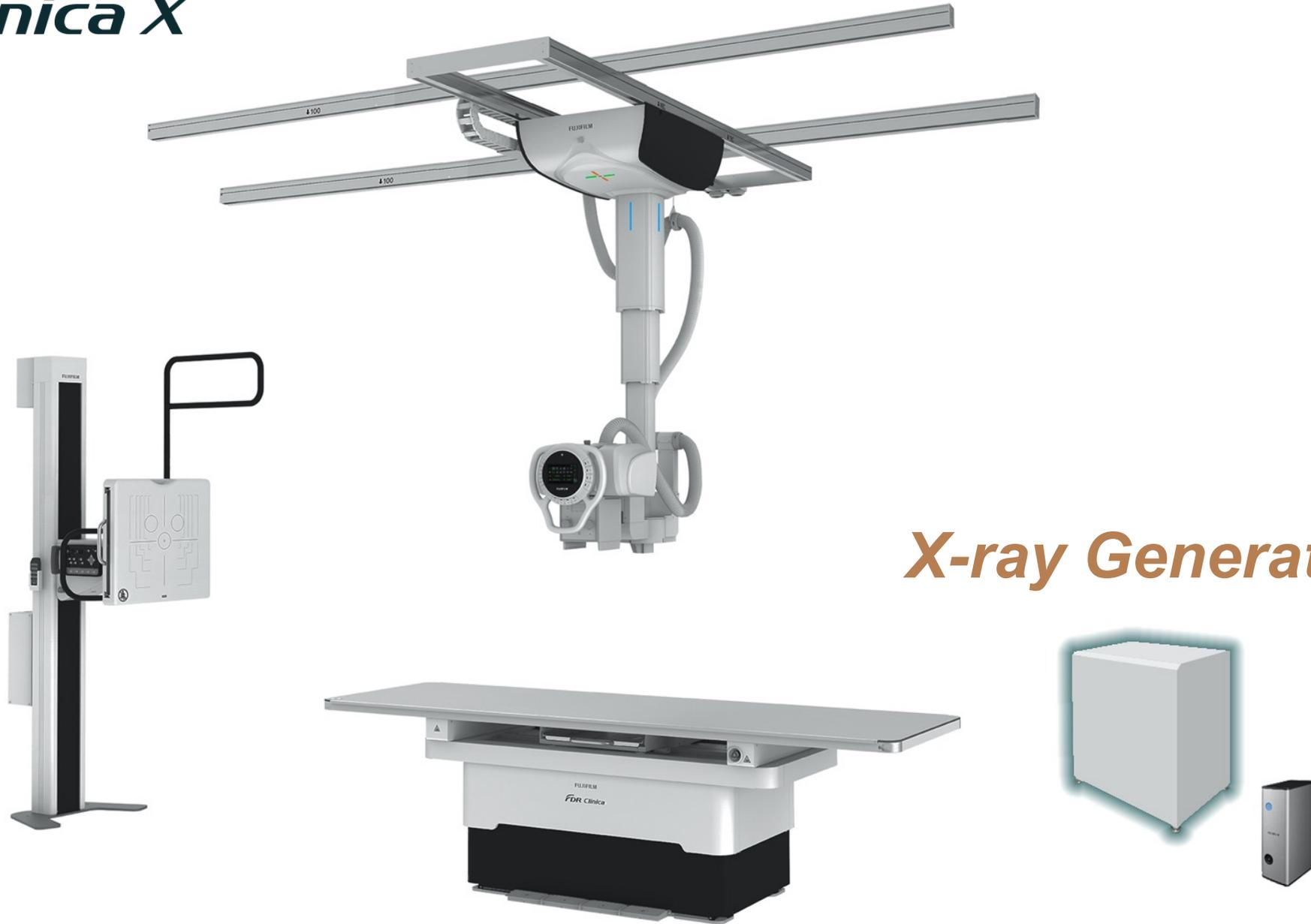


X-RAY: kV, mA, msec / mAs (current & desired), AEC cell & density settings, Table / Wall Stand / Free selectors



PATIENT INFO: Patient Name, Patient ID, Patient Age

FDR Clinica X



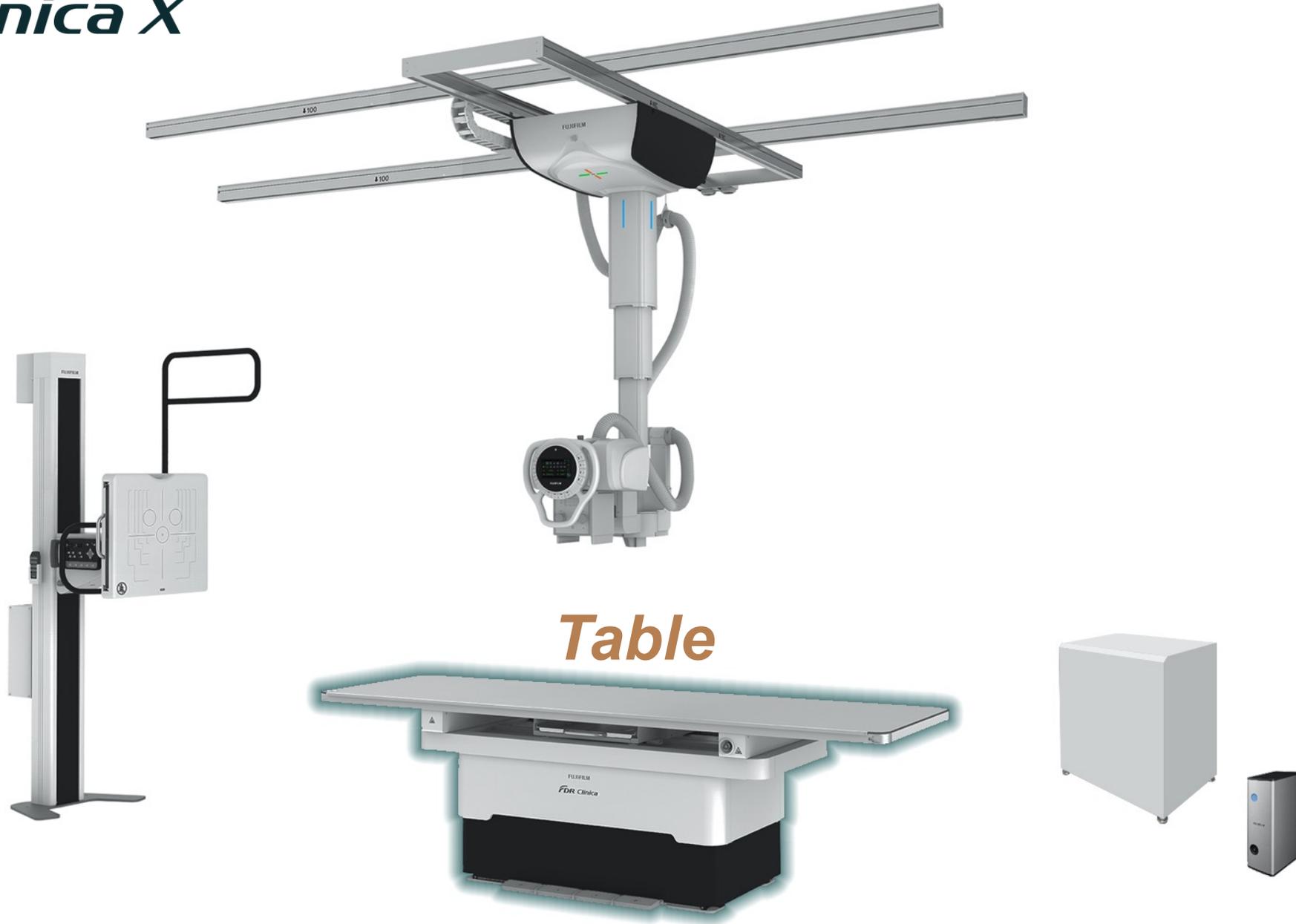
X-ray Generator

FDR Clinica X X-ray Generators

	LINE POWERED X-RAY GENERATORS			CAPACITOR ASSISTED ¹ X-RAY GENERATORS	
	40kW	52kW	68kW	40kW	52kW
Line Nominal, Phase	230VAC, 1Φ 400/480VAC, 3Φ (option)	400/480VAC, 3Φ	400/480VAC, 3Φ	110-120VAC/ 220-230VAC, 1Φ	110-120VAC/ 220-230VAC, 1Φ
kV Range	40 ~ 125kV, 1kV steps	40 ~ 150kV, 1kV steps	40 ~ 150kV, 1kV steps	40 ~ 125kV, 1kV steps	40 ~ 150kV, 1kV steps
mA Range	10 ~ 500mA	10 ~ 640mA	10 ~ 800mA	10 ~ 500mA	10 ~ 640mA
Timer range	0.001 ~ 10 sec	0.001 ~ 10 sec	0.001 ~ 10 sec	0.001 ~ 10 sec	0.001 ~ 10 sec
mAs Range	0.1 to 500mAs	0.1 to 500mAs	0.1 to 500mAs	0.1 to 500mAs	0.1 to 500mAs
Max. Power Output	500mA@80kV 400mA@100kV 320mA@125kV	640mA@81kV 500mA@104kV 400mA@130kV 320mA@150kV	800mA@85kV 640mA@106kV 500mA@136kV 400mA@150kV	500mA@80kV 400mA@100kV 320mA@125kV	640mA@81kV 500mA@104kV 400mA@130kV

¹ Contact Product Management for availability of Capacitor-Assisted Generators

FDR Clinica X



FDR Clinica X Table

Auto-Tracking Features

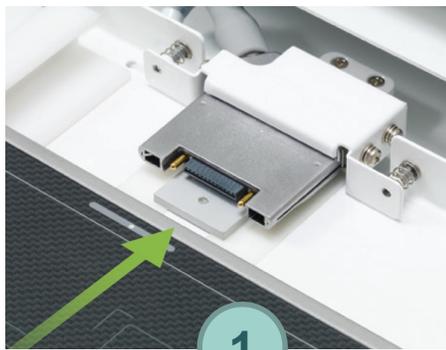


X-ray tube & collimator adjust with table height



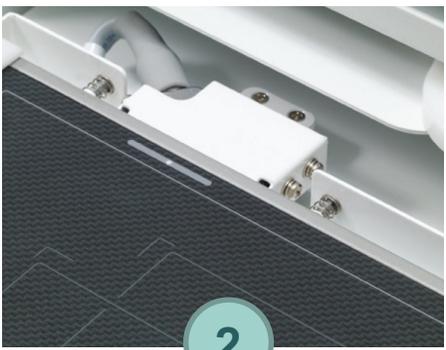
Motorized Table Bucky tracks with the longitudinal

Table Bucky Features

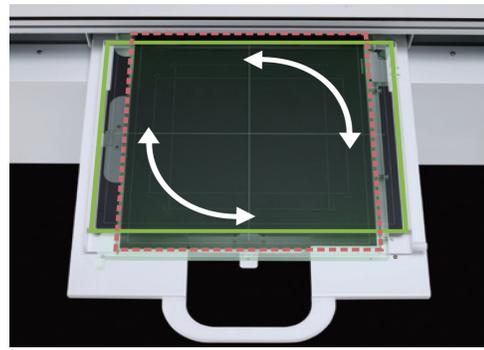


1

Detector Auto Connect



2



14" x 17" Rotating Bucky Tray



Eco

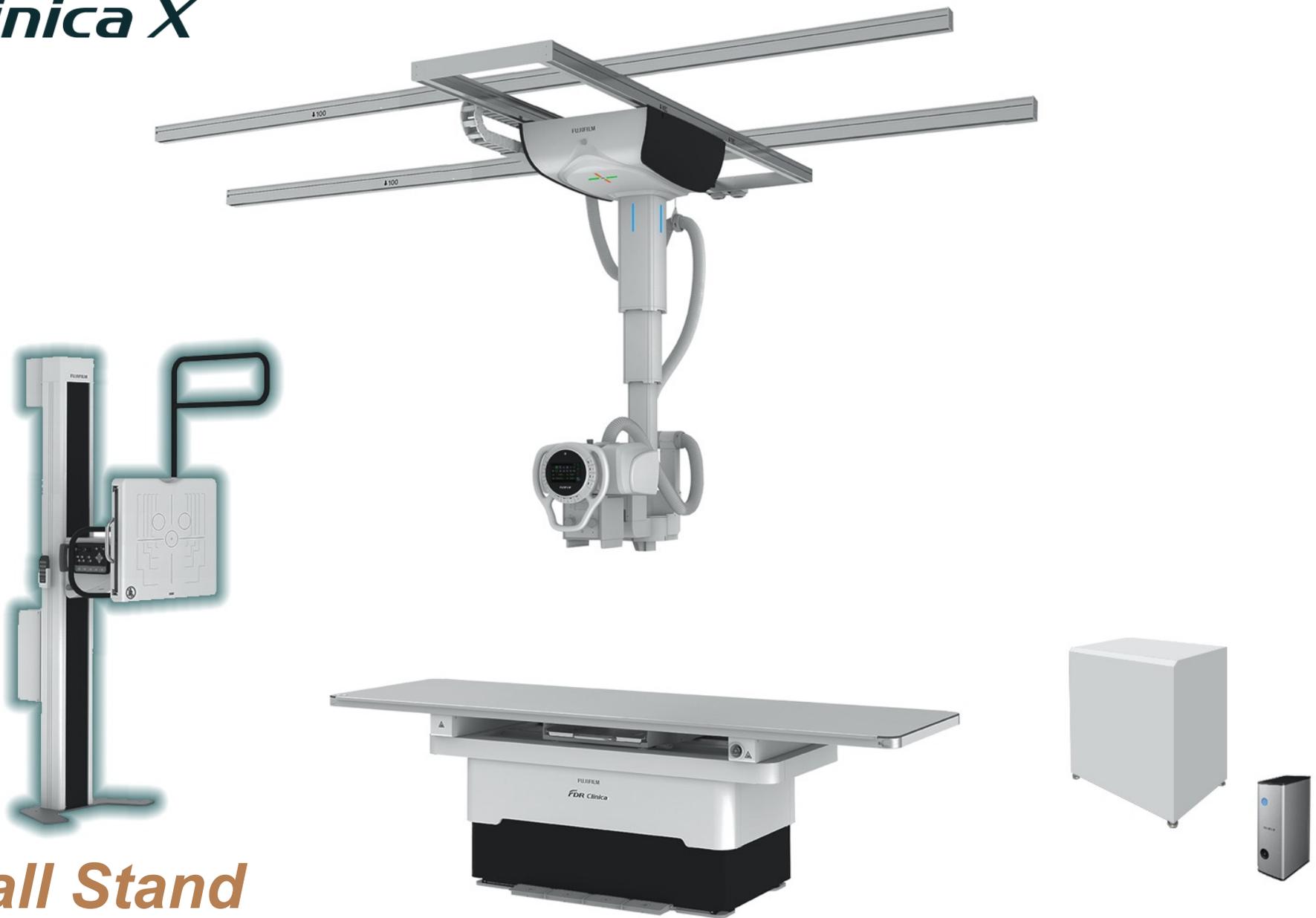
- 86
- 66
- 4-way floating
 - +/- 20" longitudinal
 - +/- 5" transverse



Double-tap Elevation & Float Foot Pedals

Table Elevation

FDR Clinica X

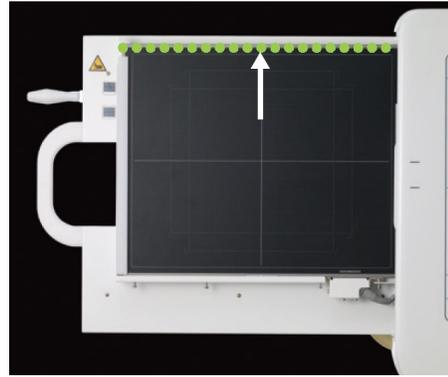


Wall Stand

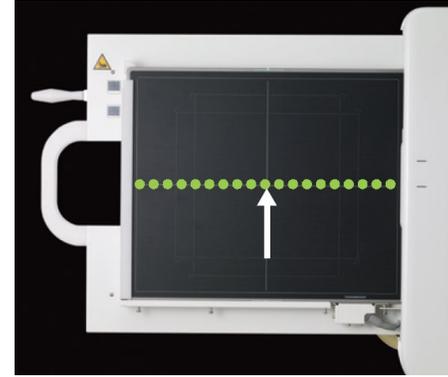
FDR Clinica X



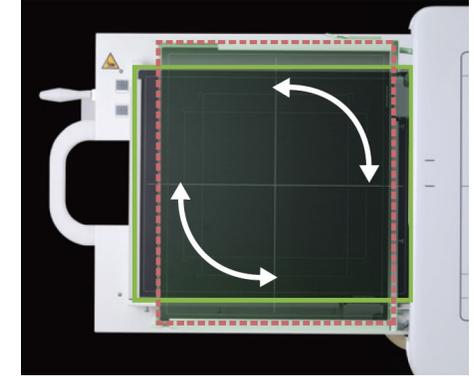
Detector Orientation



Top
Reference

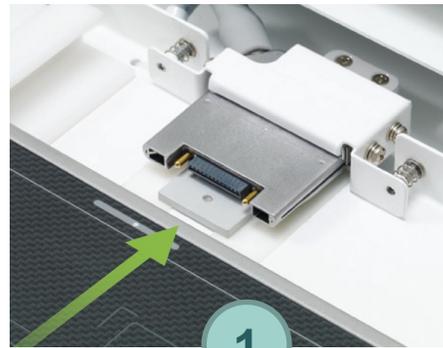


Center
Reference

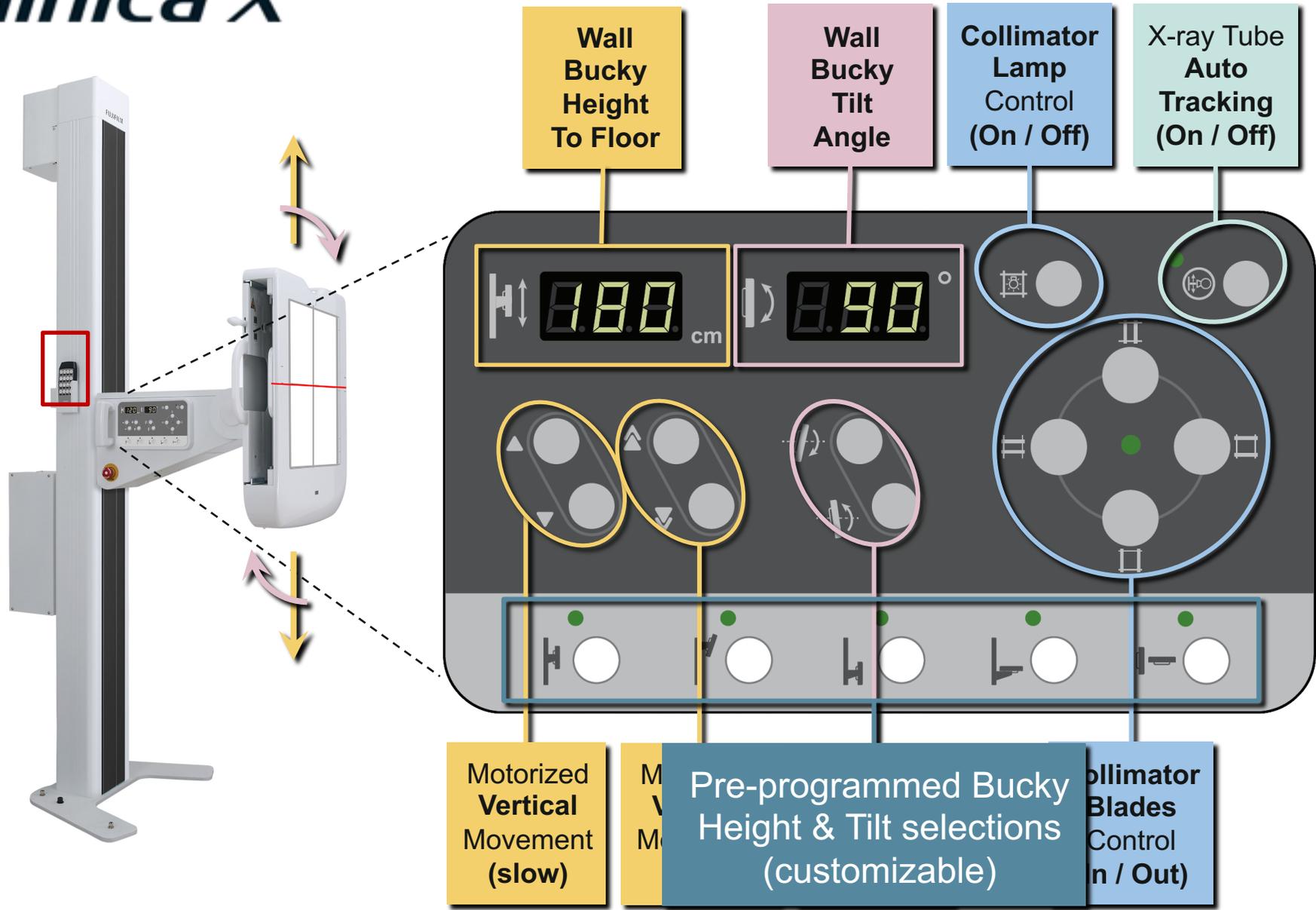


14" x 17" Rotating
Bucky Tray
(17" x 17" tray also available)

Detector Auto Connect



Clinica X



FDR Clinica X
Stitching (Option)

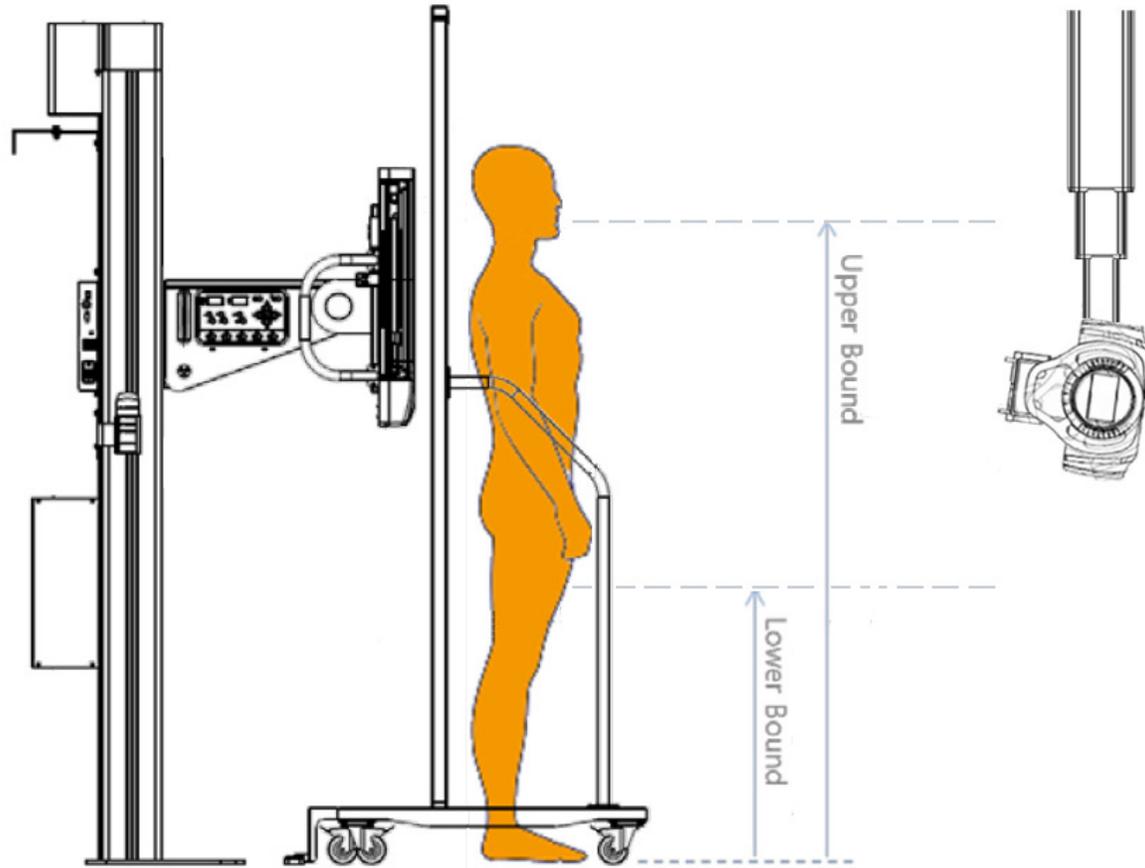
FDR Clinica X *Stitching (Option)*

Automatic Long-Length Imaging

- Up to 4 exposures with single depression of exposure switch
- Up to 160cm (63") length
- 17.5 seconds for 3 image stitch
- Stitching Stand is required
- Can be used with 14"x17" or 17"x17" detector
 - 14"x17" detector can be used in either portrait or landscape orientation.



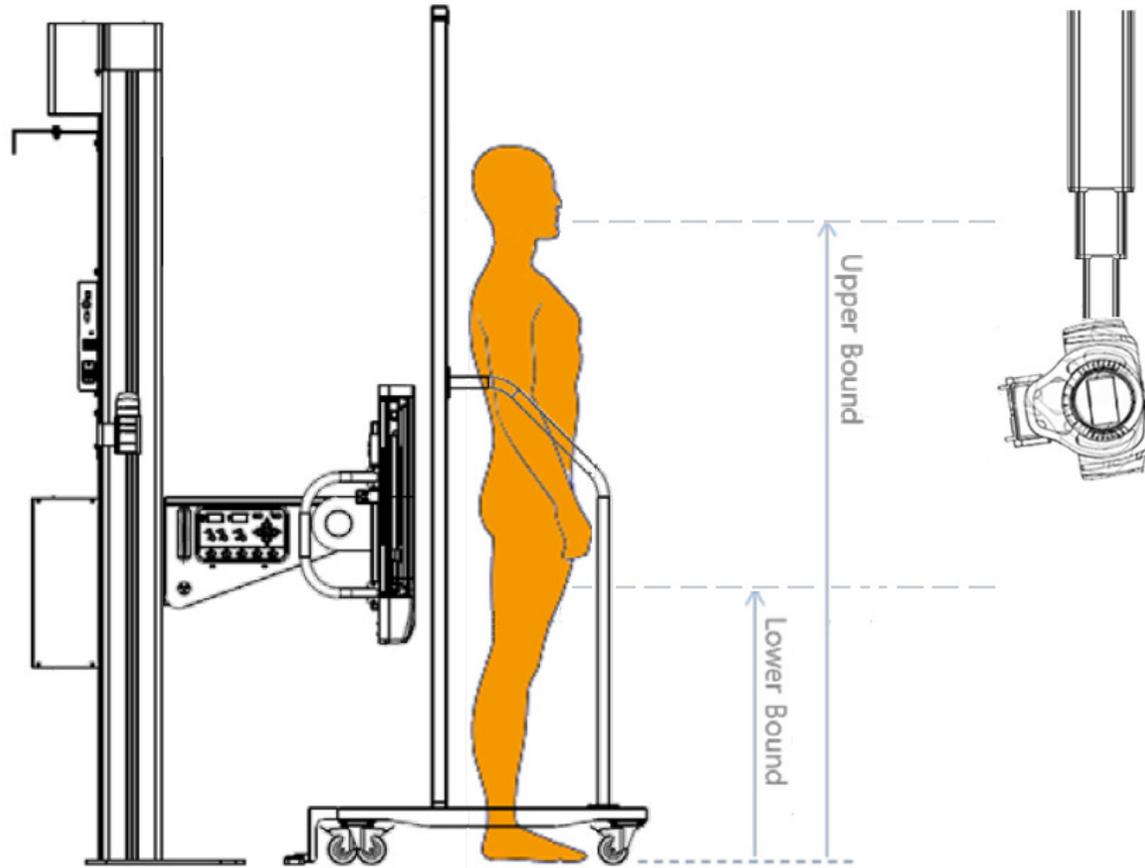
FDR Clinica X



STITCH Setting

Projection:	<input type="button" value="AP"/>	<input type="button" value="LAT"/>	Long:	<input type="text" value="83"/>	cm	Cross:	<input type="text" value="43"/>	cm
Upper Bound:	<input type="text" value="175"/>	cm	<input type="button" value="SET"/>	Overlap:	<input type="text" value="3"/>	cm		
Lower Bound:	<input type="text" value="92"/>	cm	<input type="button" value="SET"/>	Count:	<input type="text" value="2"/>	cm		

FDR Clinica X





FDR Go Plus

FDR D-EVO III

FDR Visionary Suite

D-EVO Suite II

FDR Clinica X

D-EVO Suites FSx

FDR AQRO

FDX Console

Dynamic Visualization II

Virtual Grid

Image Stitching

Dual-Energy Subtraction

Tomosynthesis