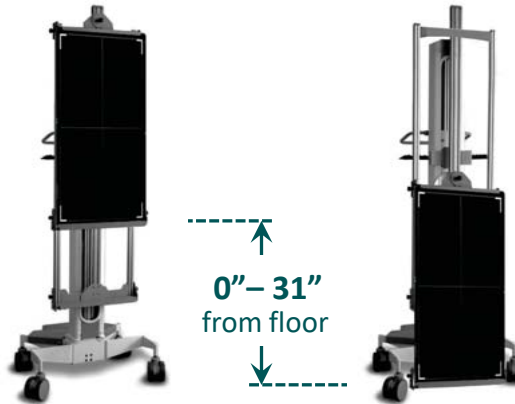


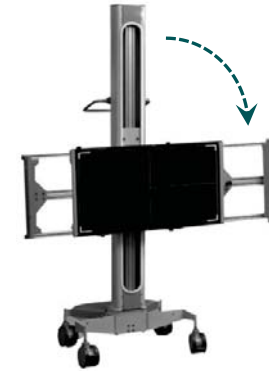
X-ray Room Mobile Stand



Motorized Vertical Movement



Manual Horizontal Movement



Operating Room Articulating Cart



Upright



Supine



Lateral

